

Programmes After Market Services NPW-3 Series Transceivers

7. Service Tools

Contents

	Page No
Module Jig MJS-59	5
Product Code	5
View of MJS-59	5
Service Battery BBS-10	6
Product Code	6
View of BBS-10	6
Flash Loading Adapter FLA-5 or FLA-7 (Sales Pack)	7
Product Code	7
View of FLA-5	7
Flash Prommer FPS-4S (Sales Pack)	8
Product Code	8
View of FPS-4S	8
Security Box TDF-4	9
Product Code	9
View of TDF-4	9
Service Audio Box JBA-4	10
Product Code	10
View of JBA-4	10
D15-D15 Cable AXS-5	11
Product Code	11
View of AXS-5	11
DC Cable PCC-1	11
Product Code	11
View of PCC-1	11
DC Cable SCB-3	12
Product Code	12
View of SCB-3	12
MBUS Cable DAU-9S	12
Product Code	12
View of DAU-9S	12
Power Cable PCS-1	13
Product Code	13
View of PCS-1	13
Modular Service Cable SCH-5A	14
Product code	14
View of SCH-5A	14
SW Security Device PKD-1	15
Product Code	15
View of SW Security Device	15
Dongle/Flash Device FLS-2D (Sales Pack)	16
Product Code	16
View of FLS-2D	16
Sales Pack Contents	16
FLS-2D Connection Diagram	17
Audio Patch Cable ADS-5	18
Product Code	18
View of ADS-5	18

Audio Cable ADS-7	19
Product Code	19
View of ADS-7.....	19
DC Cable FLC-2	20
Product Code	20
View of FLC-2	20
Docking Station (JBU-11) and RF Adapter (RC1).....	21
Product Code	21
View of JBU-11 (with RC1 and phone).....	21
RF Connector XRS-5	22
Product Code	22
View of XRS-5.....	22
View of Setup BBS-10, XRS-5, ADS-5, SCH-5A, ACP-12U	22
RF Connector GAC-5	23
Product Code	23
View of GAC-5	23

Module Jig MJS-59

The purpose of the MJS-59 module service jig is to provide a method of component-level testing, by applying voltage from an external power supply when the phone engine is out of its mechanics. The engine module and UI module of NPW-3 can be tested with the MJS-59.

RF connection is established through a replaceable GAC-5 connector. Two SMA-type connectors are available for audio testing using ADS-7 cables. This type of connection eliminates the need for external audio splitter.

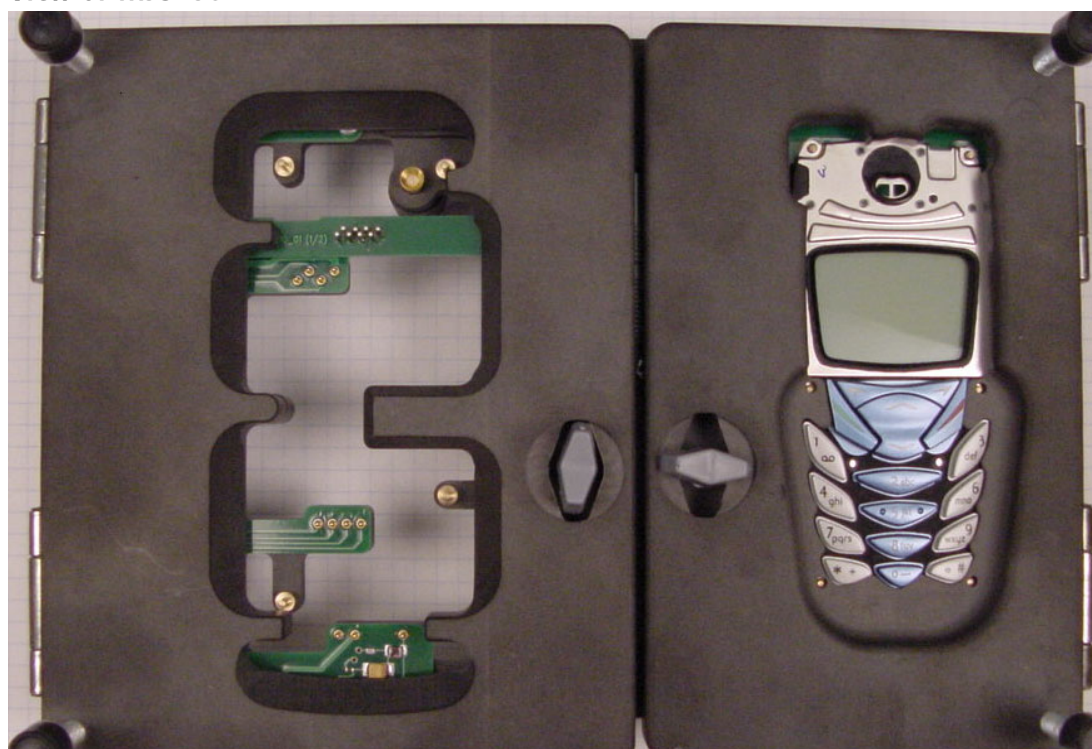
Note: The nominal supply voltage for the MJS-59 is +4.1V.

The supply voltage must not exceed +5.0 V

Product Code

Module Jig MJS-59: 0770366

View of MJS-59



Service Battery BBS-10

The BBS-10 is a dual-purpose device and may be used in service for all functions of service software, and at point-of-sale as a flash adapter. Mode is determined by voltage input: 3.6-5 volts initiates service mode, 5.5-16 volts initiates flash mode.

Product Code

Service Battery BBS-10: 0775292

View of BBS-10



Flash Loading Adapter FLA-5 or FLA-7 (Sales Pack)

Flash loading adapters FLA-5 and FLA-7 may be used interchangeably with NPW-3.

The FLA-5/FLA-7 is used with the Flash Adapter FLA-12 and Service Cable SCH-5 (or SCH-5A). Power is supplied from the Flash Security Box TDF-4 via a DC cable PCC-1. (The PCC-1 can be replaced with a travel charger ACH-6), and is connected to the Flash Prommer FPS-4 with cable AXS-5.

FLA-5 sales pack includes: –

- Flash Loader Adapter FLA-5 0770085
- Service Cable SCH-5 0730098
- D15-D15 CABLE AXS-5 0730091
- Installation SW for FPS-4 8400041

FLA-7 sales pack includes:

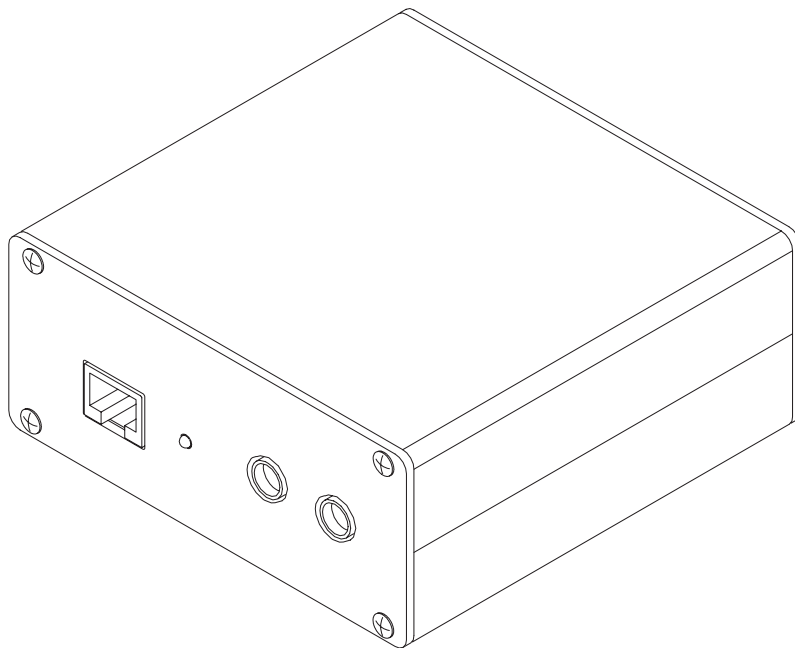
- Flash Loader Adapter FLA-7 0770119
- Power Cable SCF-7 0730141
- Service Cable XCM-5 0730142
- DC Cable AXD-1 0730144
- Service Cable AXS-5 0730091

Product Code

Flash Loading Adapter FLA-5: 0080178

Flash Loading Adapter FLA-7: 0080326

View of FLA-5



Flash Prommer FPS-4S (Sales Pack)

The Flash Prommer FPS-4S is used to update the main software of the phone. Updating is done by first loading the new MCU software from the PC to the flash prommer, and then loading the new SW from the prommer to the phone. When updating more than one phone in succession, the MCU software only needs to be loaded to the prommer once.

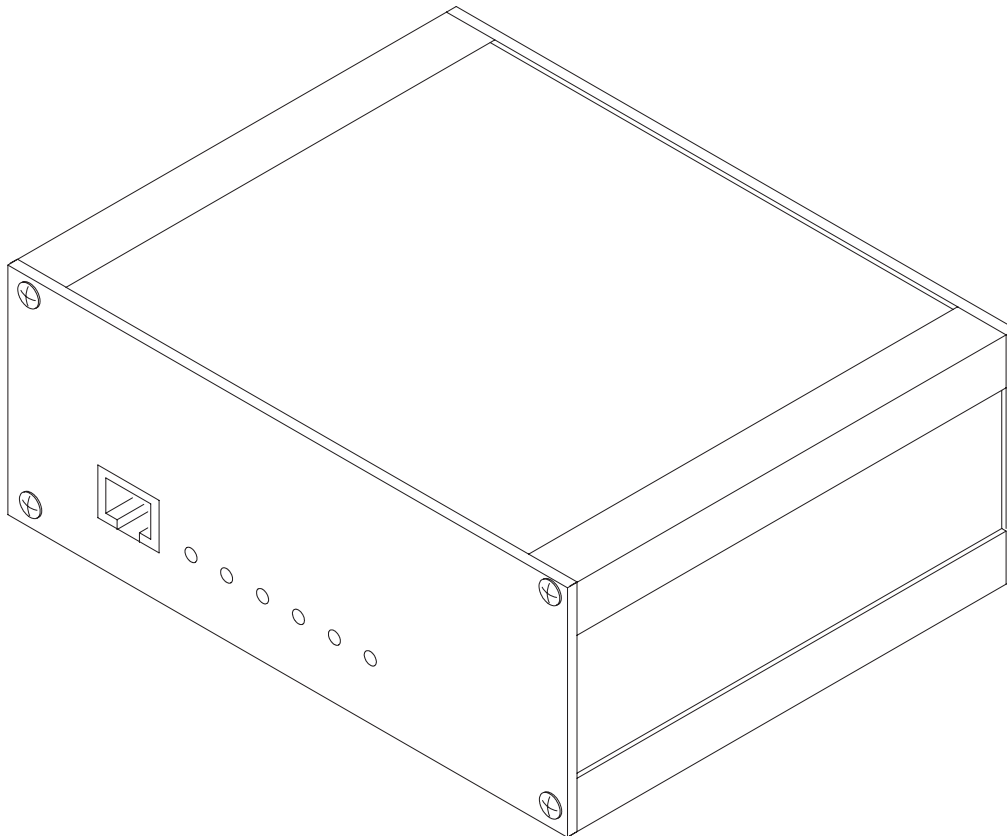
The sales pack includes:

- Printer Cable 0730029
- D9 - D9 Cable AXS-4 0730090
- Installation software for FPS-4 8400041

Product Code

Flash Prommer FPS-4S: 0081275

View of FPS-4S



Security Box TDF-4

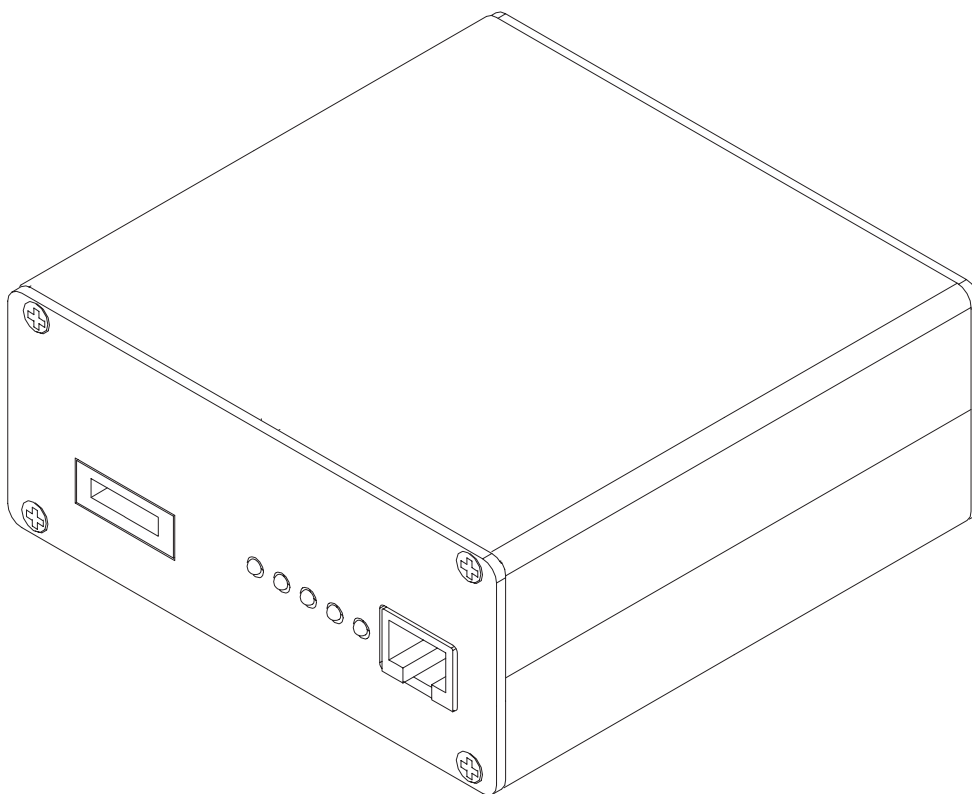
The Security Box TDF-4 is required for updating MCU software and for infrared testing.

Note: TDF-4 is delivered in de-activated mode. Fill in the Activation Request Form (sent with TDF-4), and fax to NMP Salo to get the activation code.

Product Code

Security Box TDF-4: 0770106

View of TDF-4



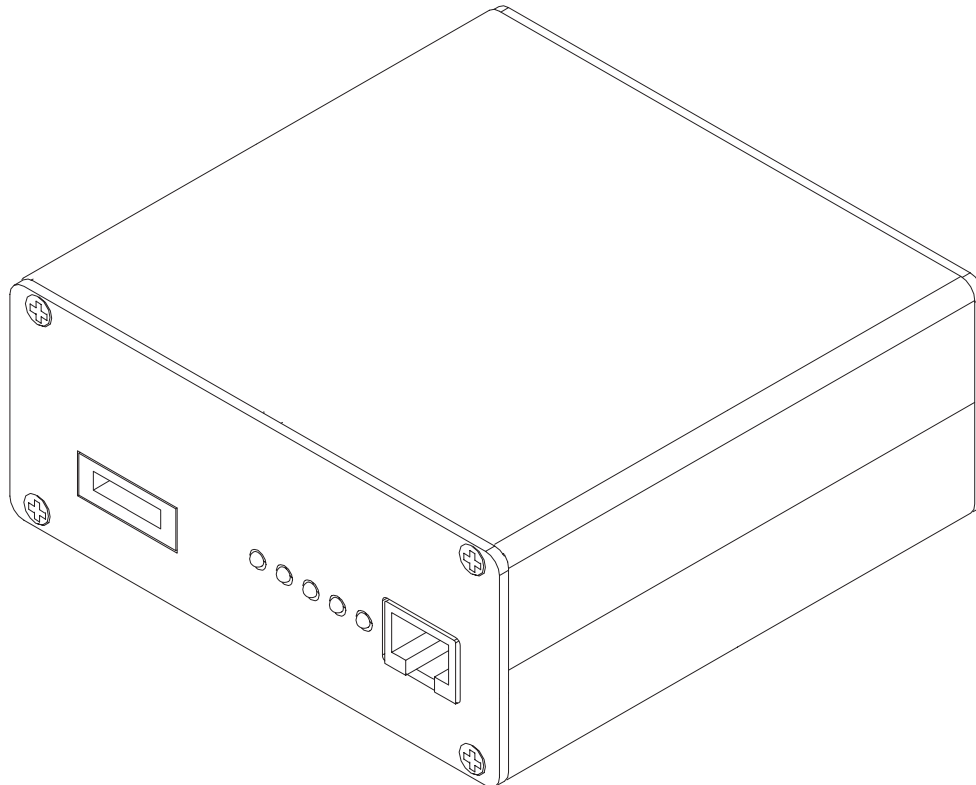
Service Audio Box JBA-4

The Service Audio Box JBA-4 is used to test audio while using the BBS-10 service battery.

Product Code

Service Audio Box JBA-4: 0770184

View of JBA-4



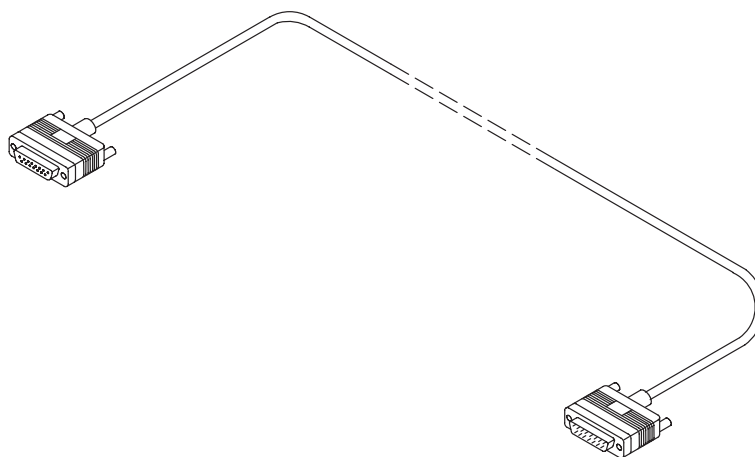
D15-D15 Cable AXS-5

The D15-D15 Cable AXS-5 is used to connect two 15-pin D connectors (e.g., between FLA-5 and FPS-4S).

Product Code

D15-D15 Cable AXS-5: 0730091

View of AXS-5



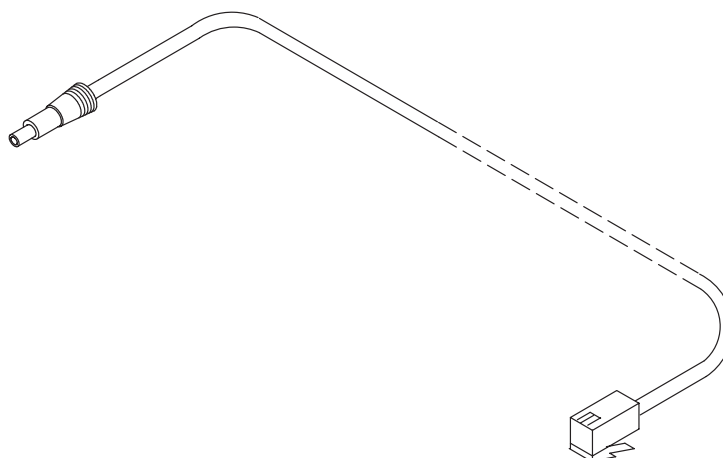
DC Cable PCC-1

The DC Cable PCC-1 is used to connect FLA-5 and TDF-4.

Product Code

DC Cable PCC-1: 0730053

View of PCC-1



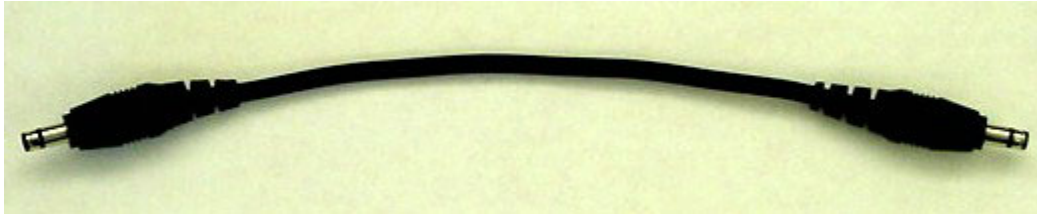
DC Cable SCB-3

The DC Cable SCB-3 is used to connect the Service Box to the charger connection Vin of the phone when doing the charger calibration service procedure.

Product Code

DC Cable SCB-3: 0730114

View of SCB-3



MBUS Cable DAU-9S

The MBUS Cable DAU-9S has a modular connector, used with the MJS-59.

Product Code

MBUS Cable DAU-9S: 0730108

View of DAU-9S



Power Cable PCS-1

The Power Cable PCS-1 is used to connect the module jig MJS-59 to an external power supply.

Product Code

Power Cable PCS-1: 0730012

View of PCS-1



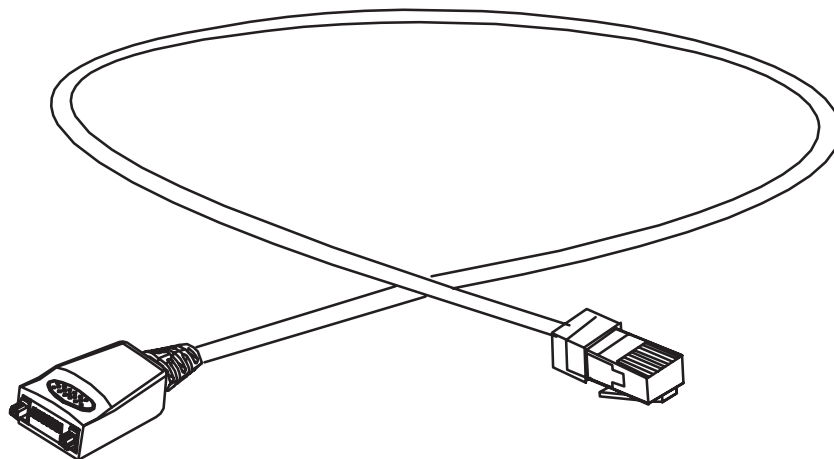
Modular Service Cable SCH-5A

The Service Cable SCH-5A is used between the phone and Service Audio Box JBA-4 (or modular T-adapter). It is also used between the phone and the Flash Loading Adapter FLA-5.

Product code

Service Cable SCH-5A: 0730166

View of SCH-5A



SW Security Device PKD-1

SW security device is a piece of hardware enabling the use of the service software when connected to the parallel (LPT) port of the PC. A dongle is required for use of the service software. A printer or any such device can be connected to the PC through the dongle, if needed.

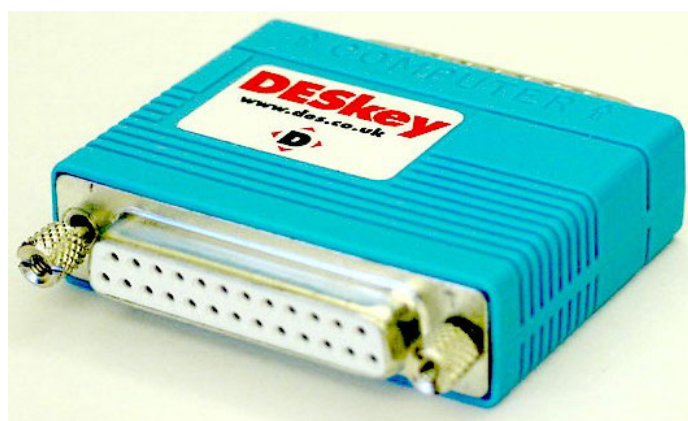
Caution: Make sure that you have switched off the PC and the printer before making connections!

Caution: Do not connect the PKD-1 to the serial port. You may damage your PKD-1!

Product Code

SW Security Device PKD-1: 0750018

View of SW Security Device



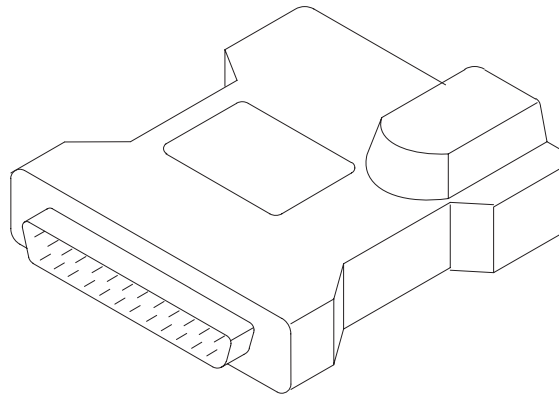
Dongle/Flash Device FLS-2D (Sales Pack)

FLS-2D is a dongle and flash device incorporated into one package, developed specifically for POS use.

Product Code

Sales Pack -Americas: 0081309

View of FLS-2D



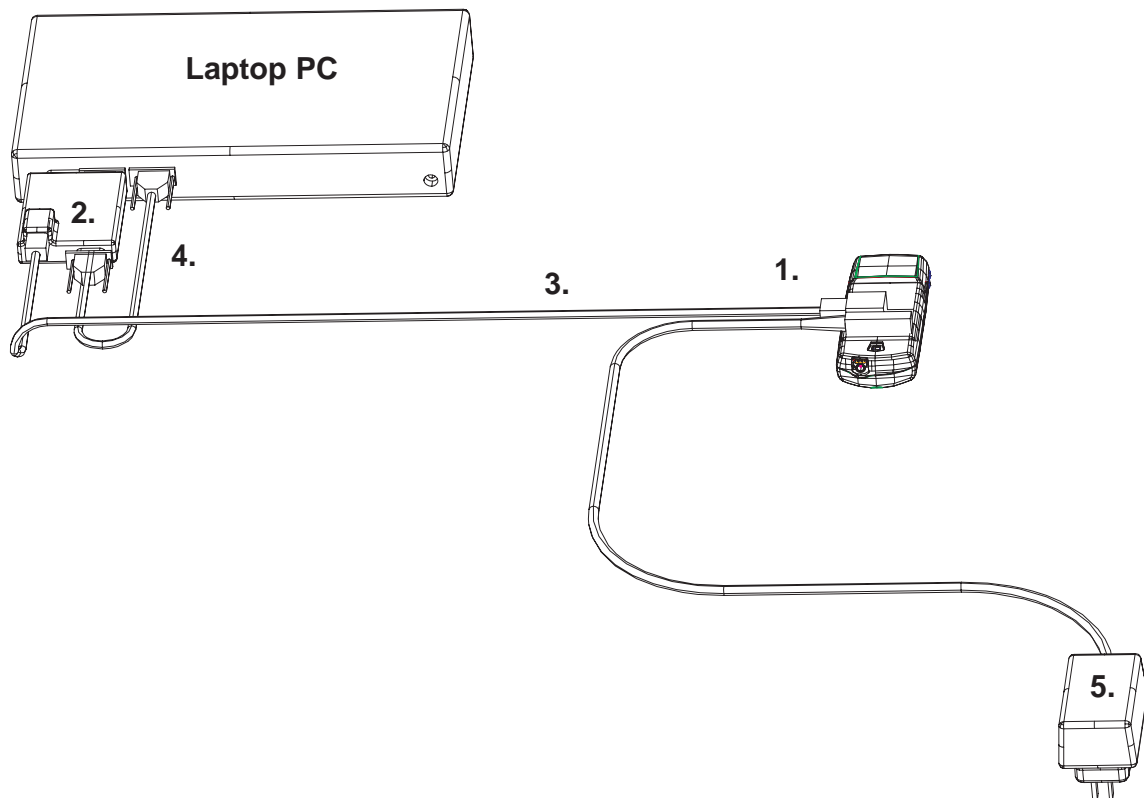
Sales Pack Contents

Part No.	Description
0774168	FLS-2D Flash Device
0730163	AXS-4U Cable
0770177	Disk- Installation package, 16-bit Dongle Drivers
0770176	Disk - Installation package, 32-bit Dongle Drivers
0774120	Disk - Installation package for the FLE-5???? Drivers
0774123	Disk - Remote Update Application Installation Package
0275405	Installation and User Guide
0275404	Registration Request Form

Note: In addition to this Sales Pack, a Service Cable will be required to connect the FLS-2D to the Product/Phone to be flashed (e.g. XMS-3), and a software package to run the flashing process.

The following drawing shows how to connect the FLS-2 device and associated cables to the PC and Product/Phone.

FLS-2D Connection Diagram



1	Flash Battery Adapter FLA-12	0080389
2	POS Flash Adapter FLS-2D	0081309
3	Modular Cable SCH-5	0730174
4	D9-D9 Cable AXS-4U	0730163
5	Travel Charger ACP-8U	0675196

Audio Patch Cable ADS-5

ADS-5 is used to create an audio loop from the headset connector of the phone to the audio connection of BBS-10 service battery.

Product Code

Audio Patch Cable ADS-5: 0730229

View of ADS-5



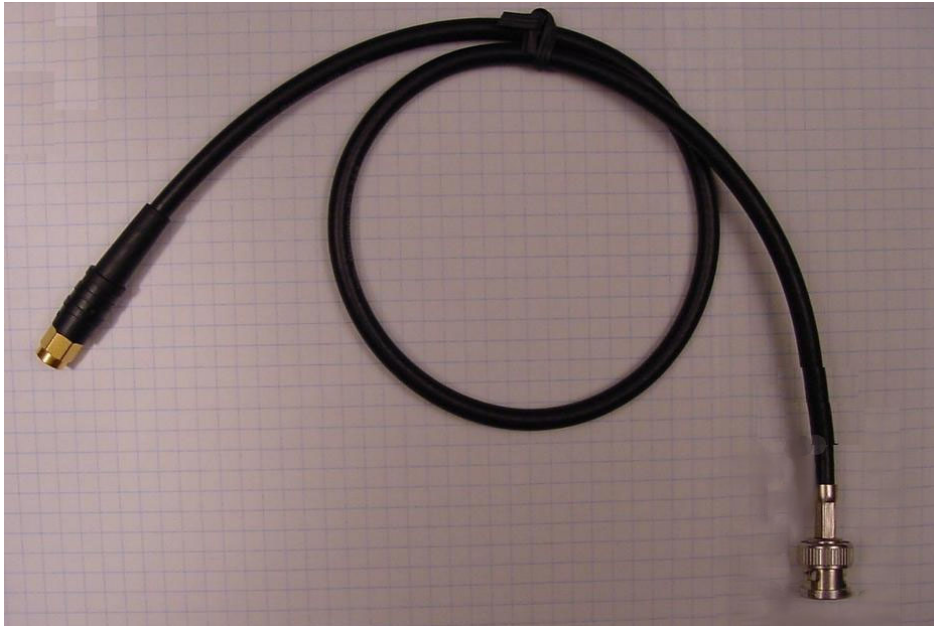
Audio Cable ADS-7

ADS-7 audio cable is for use with module jig MJS-59. Audio is split at the module jig, eliminating the need for a separate audio box in this configuration.

Product Code

Audio Cable ADS-7:0730261

View of ADS-7



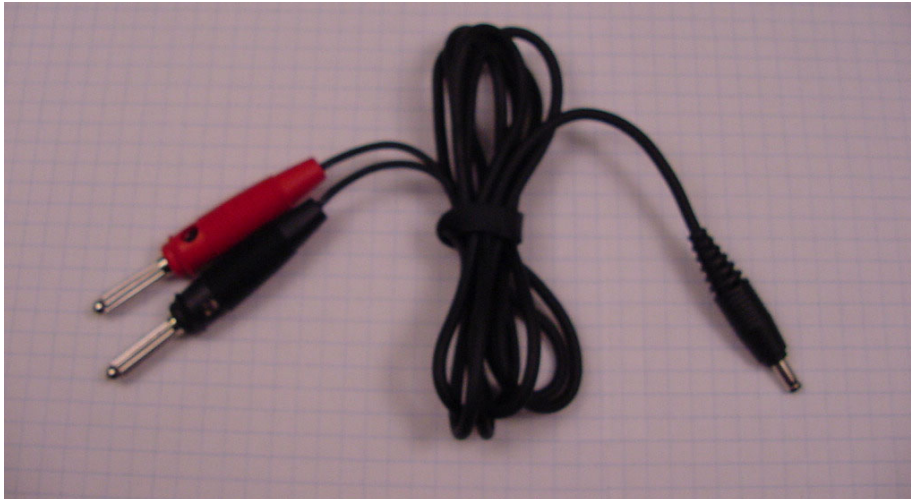
DC Cable FLC-2

FLC-2 is used to connect the BBS-10 service battery to a variable power supply when used in service mode.

Product Code

DC Cable FLC-2: 0730185

View of FLC-2



Docking Station (JBU-11) and RF Adapter (RC1)

The Docking Station and RF Adapter are needed for Mbus, Fbus, and RF connections. The docking station also may be used without RC1 if RF output is not desired. The RC1 uses the GAC-5 for RF interface.

The Docking Station may be powered by the FPS-4 setup (FLA-7), or by an external power supply.

Note: Toggle the DC power supply switch to correct mode before applying power.

Product Code

Docking Station JBU-11:	0775294
RF Adapter RC1:	0775296

View of JBU-11 (with RC1 and phone)



RF Connector XRS-5

XRS-5 is used for readings, in conjunction with the BBS-10 service battery.

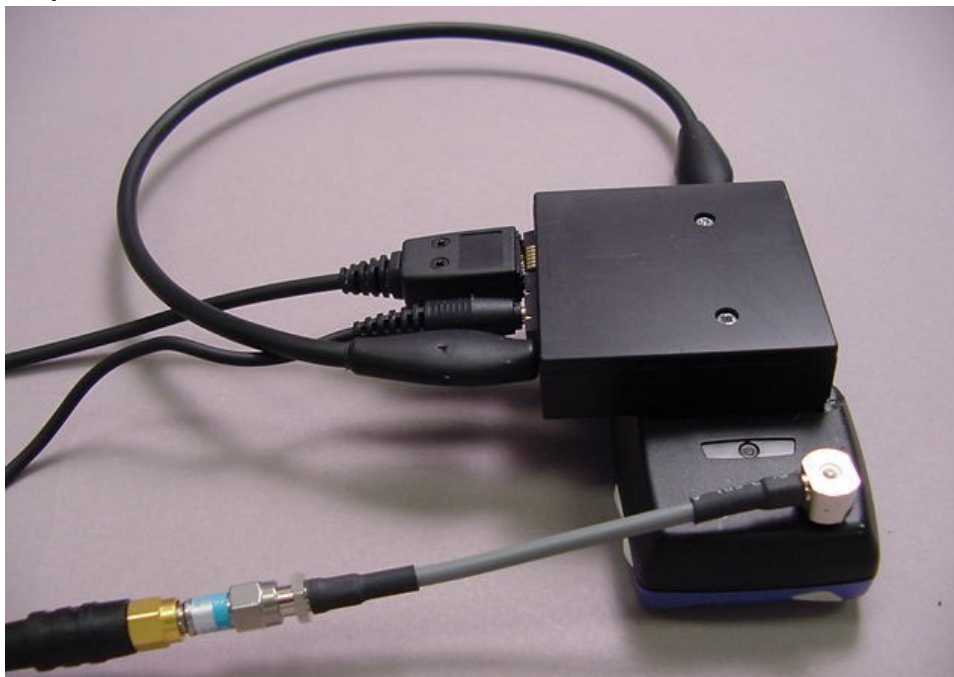
Product Code

RF Connector XRS-5: 0730228

View of XRS-5



View of Setup BBS-10, XRS-5, ADS-5, SCH-5A, ACP-12U



RF Connector GAC-5

GAC-5 is used with JBU-11/RC1 and MJS-59 to make RF connections. This connector is included with both tools; however, it is available separately as a user replaceable part in the event of damage.

The connector and both jigs are designed to accept a micro in-line attenuator. This permits attenuation as close to the source RF as possible.

Product Code

RF Connector GAC-5: 0770473

View of GAC-5



